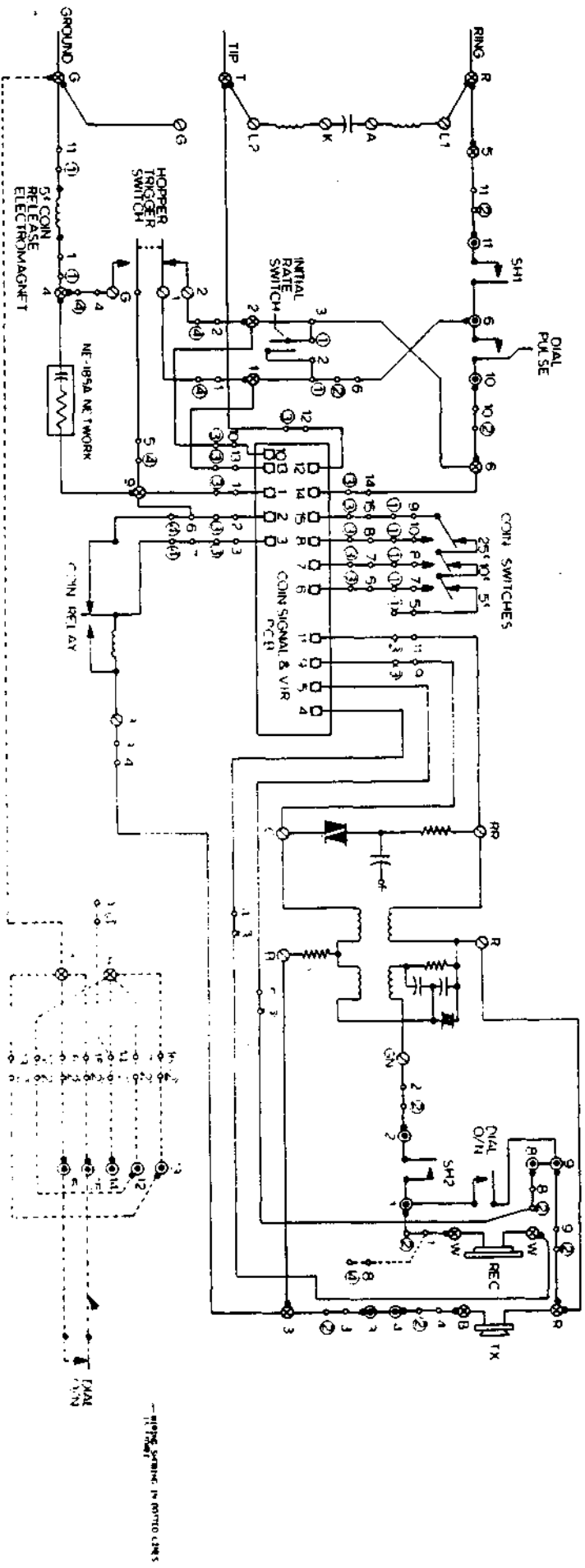
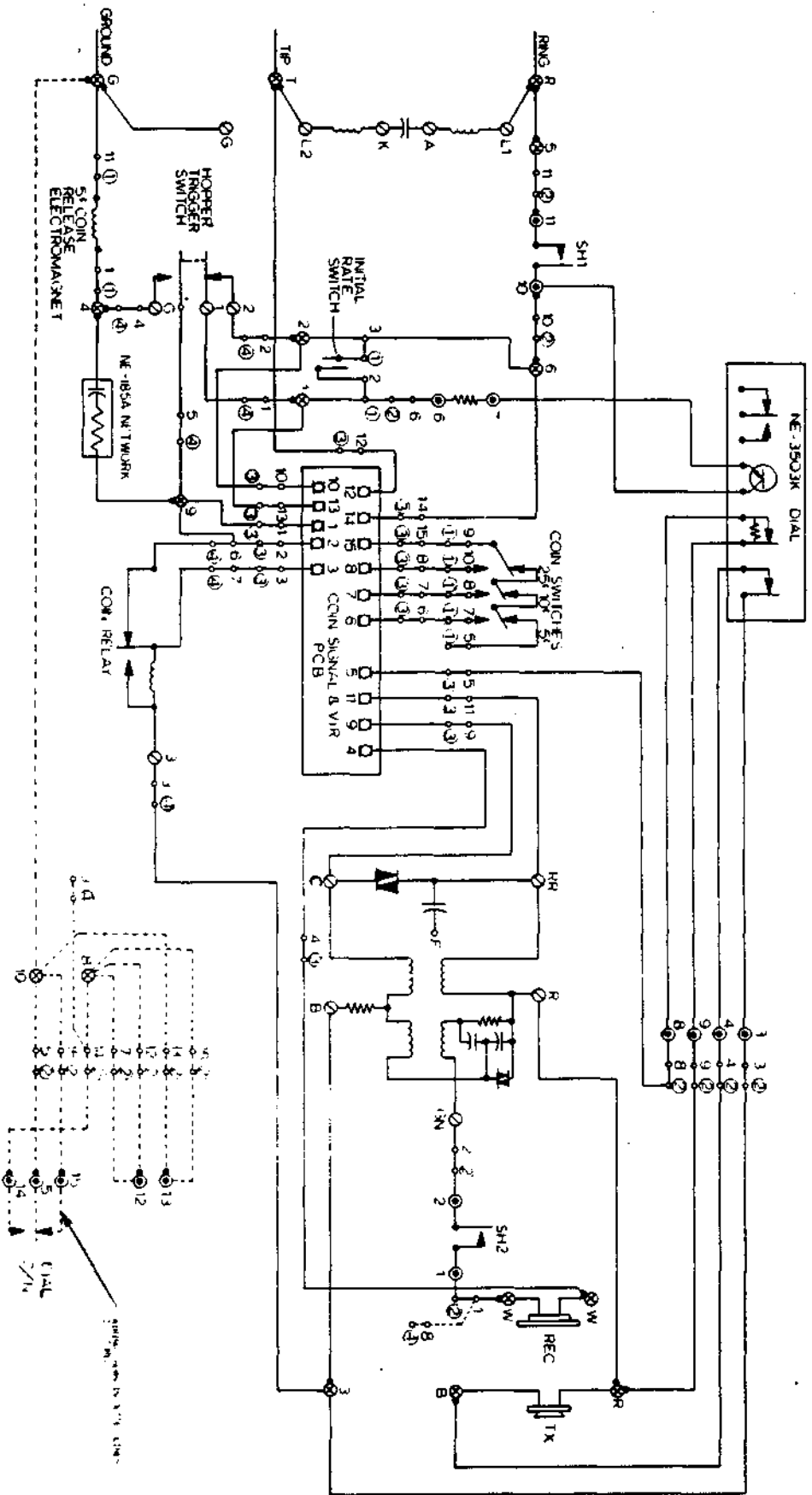


Fig. 2 - Connection Diagram - QSD400A and QSD2400A Coin Telephone Sets



SYMBOL	DESCRIPTION
(Symbol: Circle with dot)	GROUND
(Symbol: Circle with cross)	COIN RELEASE ELECTROMAGNET
(Symbol: Circle with horizontal line)	NE-185A NETWORK
(Symbol: Circle with vertical line)	INITIAL RATE SWITCH
(Symbol: Circle with diagonal line)	HOPPER TRIGGER SWITCH
(Symbol: Circle with triangle)	ST COIN RELEASE ELECTROMAGNET
(Symbol: Circle with square)	COIN SWITCHES
(Symbol: Circle with diamond)	COIN RELAY
(Symbol: Circle with star)	RRR
(Symbol: Circle with circle)	TX
(Symbol: Circle with X)	REC
(Symbol: Circle with plus)	SH1
(Symbol: Circle with minus)	SH2
(Symbol: Circle with asterisk)	DIAL PULSE
(Symbol: Circle with hash)	TX LAMP
(Symbol: Circle with percent)	RX LAMP

Fig. 3 Schematic Diagram of QSD400A Coin Telephone Set



LEGEND OF CONNECTIONS	
	NE-1854 NETWORK
	COIN SWITCH
	COIN SIGNAL PCB
	COIN RELAY
	INITIAL RATE SWITCH
	HOPPER TRIGGER SWITCH
	S1 COIN RELEASE ELECTROMAGNET
	NE-3503K DIAL
	HR (HORN RELAY)
	REC (RECEIVER) and TX (TRANSMITTER)
	SH1 and SH2 SWITCHES
	GROUND (G)
	TIP (I)
	RING (B)

Fig. 4 - Schematic Diagram of QSD2400A Coin Telephone Set

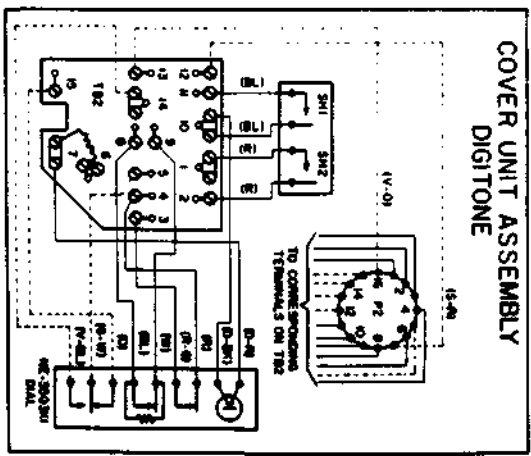
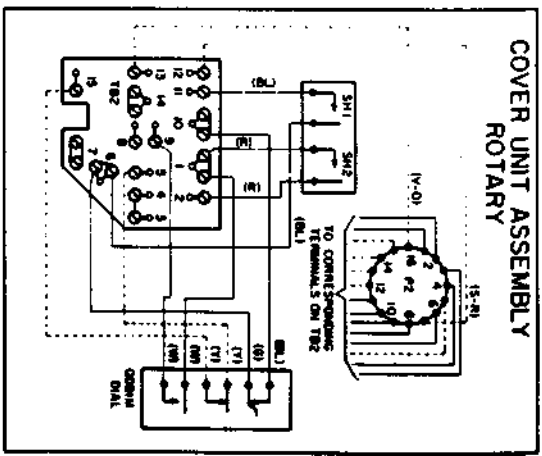
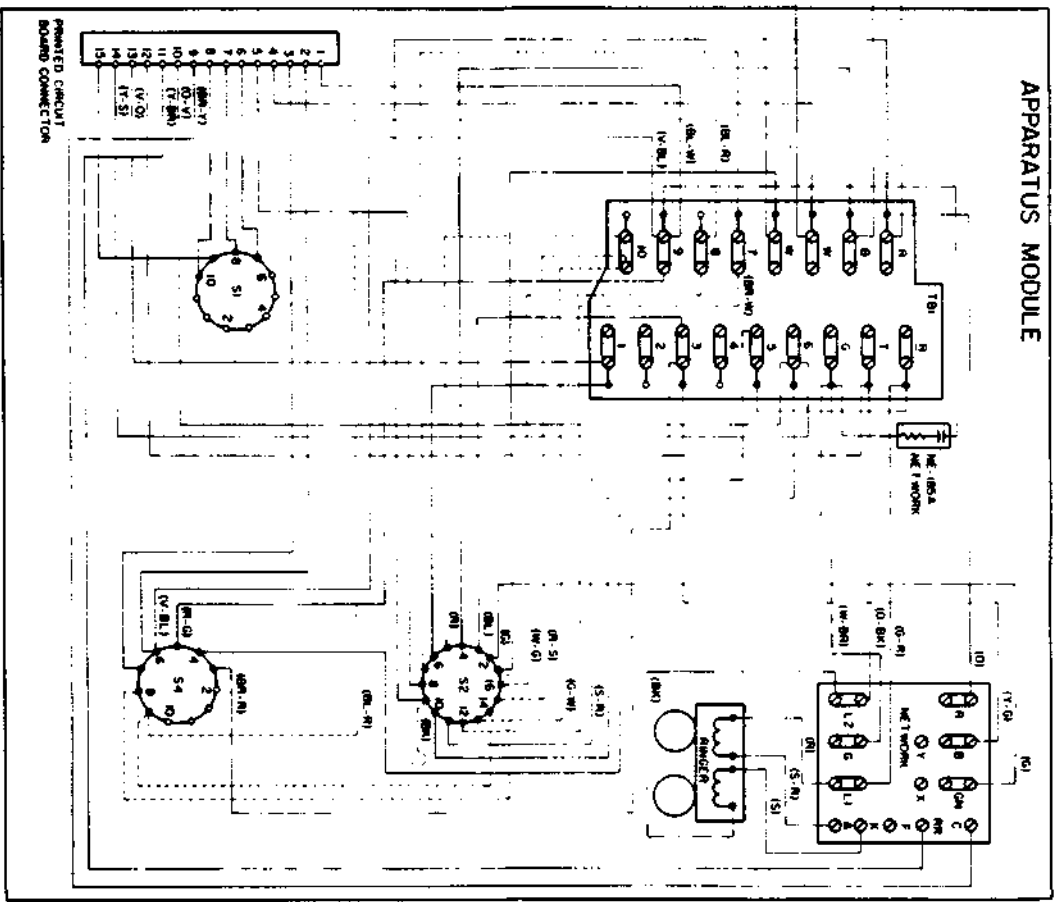
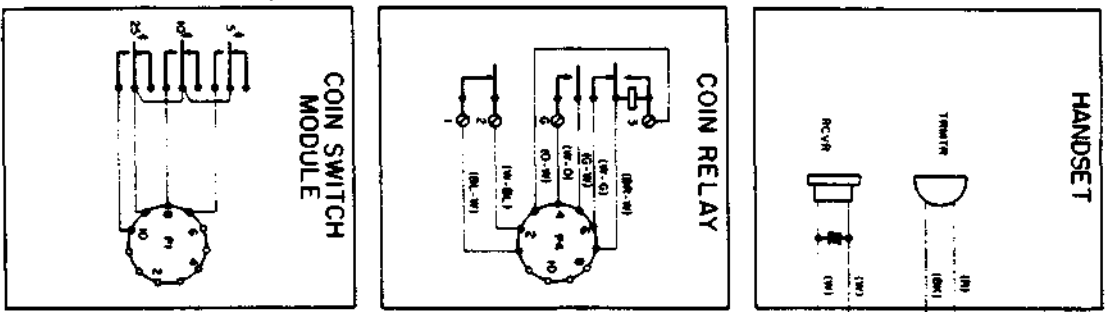


Fig. 16 - Connection Diagram -- QSD400E and QSD2400E Coin Telephone Sets

